



640 North El Dorado Street Stockton, CA 95202 Phone (209)943-0991 Fax (209)943-7923  
www.wildhorses4x4.com

## Hood Shocks

#5801 (For Steel Hoods) Date 08/27/08 rev. 1

### Parts

- 2 ea. hood shocks
- 2 ea. hood brackets
- 1 ea. right passenger side bracket
- 1 ea. left driver side bracket

### Hardware

- 4 ea. ball studs
- 4 ea. 5/16" lock nut
- 4 ea. large head metal screws
- 2 ea. 1/4" x 3/4" machine screw
- 2 ea. 1/4" nuts
- 4 ea. 1/4" washers

Tools needed: drill motor, 1/8" & 5/16" drill bit, center punch, hammer, wrenches, awl  
(Optional: short piece of fuel line or 1/2" masking tape).

1. Install the ball studs and nuts on the large (fender) bracket in the center hole with the ball stud to the outside. (fig. #1) The smaller (hood) bracket will have the ball stud mounted on the inside over the two mounting holes. (fig. #2)
2. With the hood open and supported, remove the third fender bolt from the firewall on each side.
3. Position the large (fender) bracket over the fender mounting hole and secure it finger tight with one of the bolts removed in step 2, making sure the lower leg of the bracket angles towards the front of the Bronco. (fig. #1)
4. Hold lower leg of bracket against the inner fender well wall and mark it with the center punch. Drill a 5/16" hole thru the fender well. NOTE: you may have to reposition wire loom on one or both sides.
5. Install the 1/4" x 3/4" machine screw thru the bracket and secure it with the washer and nut from the inside (tire) of the fender well. Tighten fender bolt and bracket hardware.
6. Repeat steps 3 thru 5 on the opposite fender.
7. **Steel hood only:** Position the hood bracket on the rear hood cross brace (closest to the firewall) and center punch the mounting holes. (fig. #2 )
8. **Steel hood only:** To protect the hood, slip a piece of fuel line on to the 1/8" drill and trim it so 1/8" of the drill shows or wrap 1/2" masking tape around the 1/8" drill approx. 1/8" from end of drill. Keep wrapping till you get a diameter of approx. 1/4". Both will act as a drill stop and will protect your hood from damage. Carefully drill the center punched marks.
9. **Steel hood only:** Enlarge the holes to approx 3/16" using the awl or similar tool. Careful not to damage the hood.
10. **Steel hood only:** Using the provided screws, install the small bracket to the hood cross member. The ball stud will be facing away from engine.
11. **Steel hood only:** Repeat steps 7 thru 10 on the opposite side of hood.

**Non deluxe fiberglass hoods only:** You can attach the hood shock mounting brackets to the fiberglass hood a number of ways. The easiest method is simply to bond the bracket to the hood with something like JB weld or epoxy etc. We have also glassed in 4"x4"x 1/2" wooden mounting blocks and then used screws to hold the bracket just like on the steel hood. Use the dimensions in fig. #3 for locating the mounting bracket.

12. Snap shock body onto hood (upper) ball studs on both sides of hood.
13. Lift hood off of hood prop rod and snap shock rod to fender (lower) ball studs on both fender brackets.
15. Carefully close hood. You will have to pull the hood down the first half of hood travel and support it the last half.

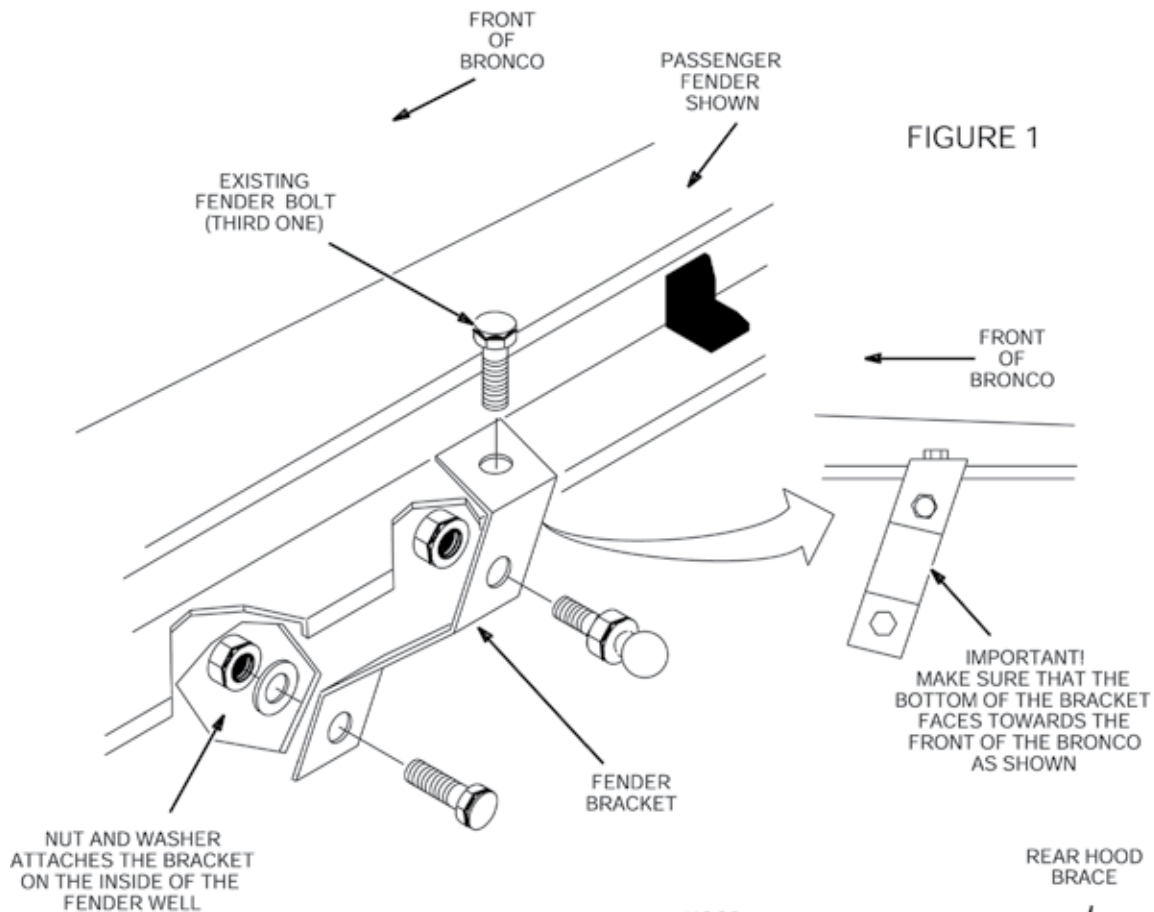


FIGURE 1

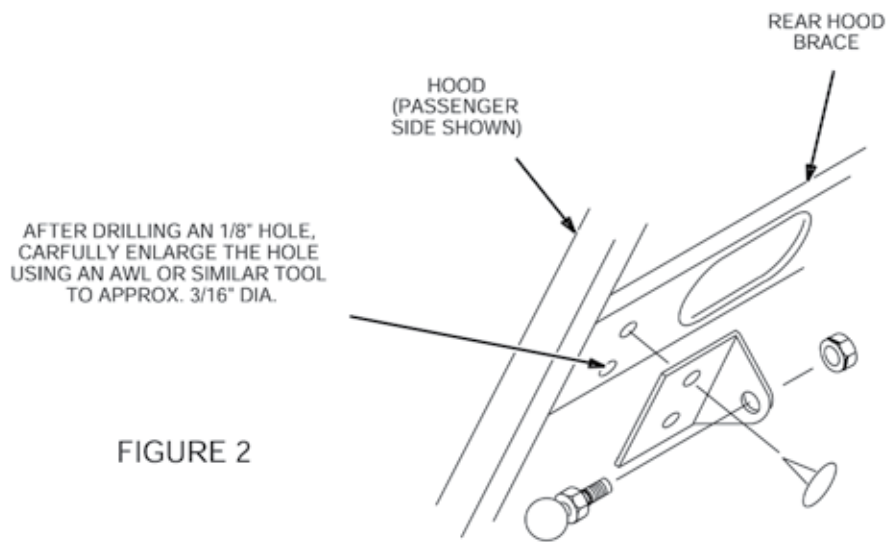


FIGURE 2

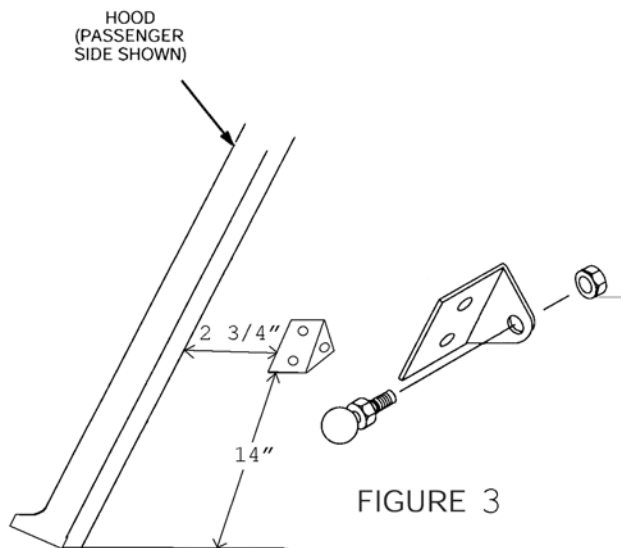


FIGURE 3