

WILD HORSES

FOUR WHEEL DRIVE

640 North El Dorado Street Stockton, CA 95202 Phone (209)943-0991 Fax (209)943-7923

www.wildhorses4x4.com

High Volume Steering Pump

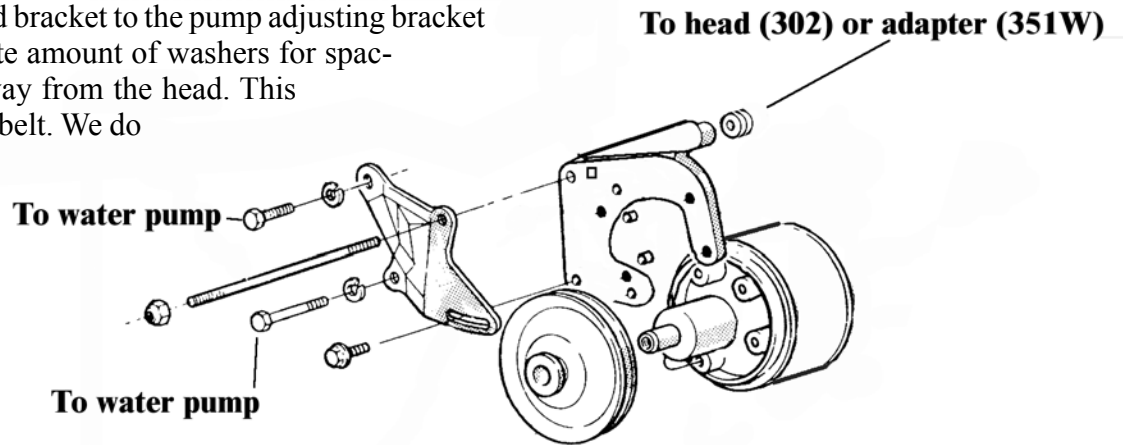
#2071 Date 4/19/05 rev. 0

Pump mounting:

Now we will focus on the steering pump. It is easiest to remove the radiator when installing the steering pump and brackets (you will have a lot more room to work). **NOTE: WH brackets are specifically designed for use with stock 289 and 302 Bronco water pumps.** Remember if you have a 351W you will need our #8048 adapter bracket to keep all the brackets lined up properly. The stock Bronco water pump will have the water inlet on the passenger side of the motor. Start by bolting the pump to the pump bracket. 4 bolts and two spacers are used on the pump. These are metric and should be used. The two shorter bolts are used without the spacers and the longer ones are used with the spacers. Because the pulley is installed on the pump it will take some finesse to start the bolts but we assure you it will work and can be done. Bolt the pump adjusting bracket to the water pump. Determine which end of the double threaded rod fits your head 3/8 or 7/16". Use the rod to

bolt the assembled pump and bracket to the pump adjusting bracket and head. Use an appropriate amount of washers for spacing of the pump bracket away from the head. This is to line up the pulleys and belt. We do

not include a belt in the kit because of all the different size crank and water pump pulleys. Obtain the correct size v-belt from your local parts store.



Reservoir mounting:

The remote reservoir can be mounted as far away from the pump as the hose will allow. The hose can be cut if less is needed. It is not recommended to use a longer hose than the one provided because of increased possibility of cavitation and by doing so you will decrease the ability of the pump to pull the high volume of fluid needed for it to work at its optimum capacity. You may need to fab some additional bracket for mounting the reservoir. We have used angle iron off of the firewall or core support as shown. Hose clamps are not necessary but can be used as a percussion.



Hose routing:

This can be a challenge because of the tight quarters of the inner fender, frame, and steering pump. There are 4 ports on the Rock box 2 for the ram 1 pressure and 1 return. If you are not going to use the ram simply tighten the port caps down on the ram ports. You can add the ram at any time in the future. The ram port on the box closest to the fire wall goes to the driver side port on the ram. The ram port closest to the radiator on the box will go to the pass side port on the ram. Now for the hoses to the pump. The smallest port is the pressure and the larger one is for the return line.

